



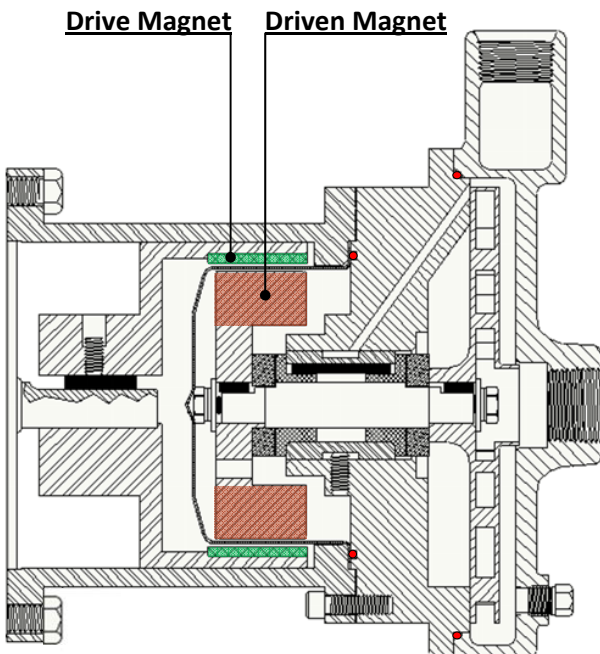
Features

- Leak-proof, magnetic drive
- Eliminates seals to reduce friction wear
- High temperature capacity
- Threaded pump connections

Applications

- Toxic or Explosive Fluids
- Aggressive Chemicals
- Biodiesel Production
- Water Treatment
- Galvanic Processes, Surface Treatments
- Scrubber Applications
- Pharmaceutical Industry

Cross Section – Magnets



HP

Pump Models

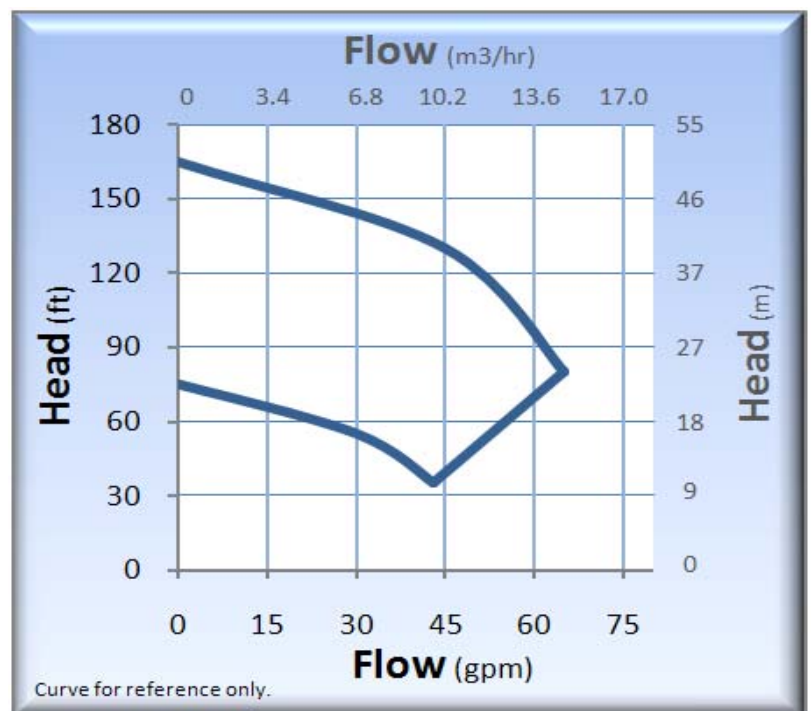
- HP75MDSS – 316 Stainless Steel
- HP100MDSS – 316 Stainless Steel

Standard Specifications

- HP75MD Discharge 3/4" FNPT, Suction 3/4" FNPT
- HP100MD Discharge 1" MNPT, Suction 1" FNPT
- Maximum Impeller Diameter: 6.00"
- Impeller Material: 316SS
- Motor: NEMA C Face
- O-rings: Viton
- Bushings: Carbon Graphite
- Thrust Washers: Ceramic
- Magnets: Samarium Cobalt

Note: Contact factory for additional options

Performance Curve – 60 Hz



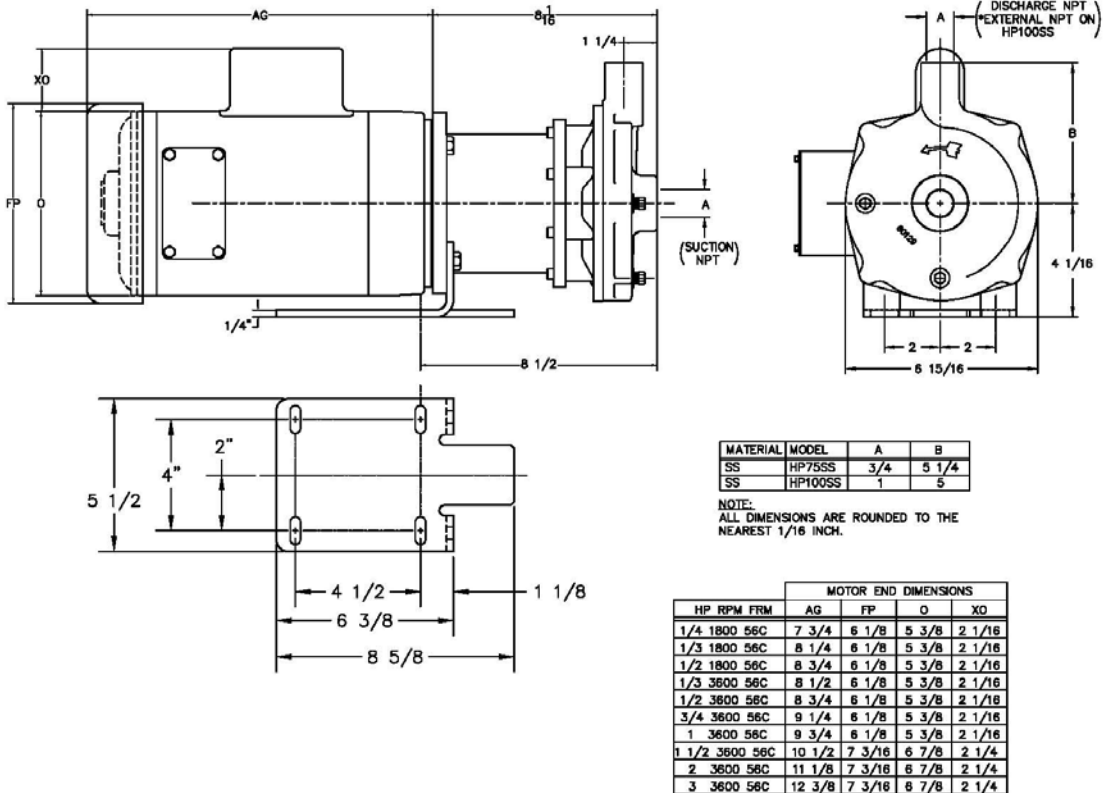
HP (MAG DRIVE)

Technical Information	
Max Flow	65 GPM (15 m3/hr)
Max Head	165 feet (50 m)
Minimum Flow	0.5 GPM (0.12 m3/hr)
Max Working Pressure	300 PSI (21 bar)
Max Temp.	350°F (177°C)*

* Temperature limits will vary depending on O-ring material and type of liquid being pumped.

Materials of Construction	
HPMD	SS
Volute	316 Stainless Steel
Impeller	316 Stainless Steel
Bracket	316 Stainless Steel
Fasteners	316 Stainless Steel
O-ring	Viton (STD), Teflon, Buna, EPR, Neoprene, Kalrez, & Fluoro-Silicon
Shaft	316 Stainless Steel (STD), Tungsten Carbide Coated
Bushings	Carbon (STD), Silicon Carbide
Thrust Washers	Ceramic (STD), Silicon Carbide
Magnet Cup	316 Stainless Steel
Magnets	Samarium Cobalt

Dimensions (HP Mag-Drive)



Note:

Motors above 3 HP require VFD or soft starter.

Motor dimensions are for reference only and will vary by model and make.

**Contact factory for special pump configurations,
same day, and next day delivery options.**



21775 Eighth Street East
Sonoma, CA 95476-0329
MAIN (707) 938-8441
TOLL FREE (800) 345-7867
FAX (707) 938-0764
E-mail: sales@pricepump.com
Website: www.pricepump.com



Rev. Date: May 2012